



OCP
SUMMIT

March 20-21
2018
San Jose, CA

OPEN. FOR BUSINESS.



Alibaba DC Network Evolution with Open SONiC and Programmable HW

Dennis Cai, Chief Architect of Network Infrastructure
Alibaba Group

OPEN. FOR BUSINESS.



Main Drivers for Alibaba DC Network Evolution



Alibaba Network Infrastructure

Performance, Cost, Feature Velocity, Reliability

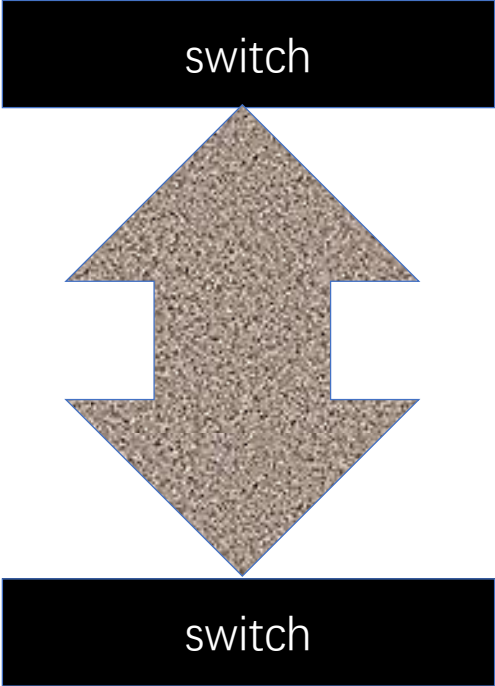
Smart Operation



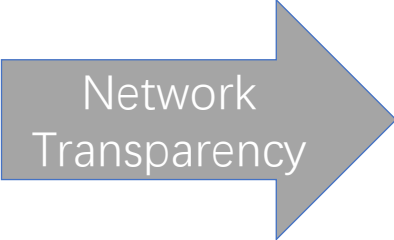
Smart Operation = DATA+ DATA Analysis

From Black to White

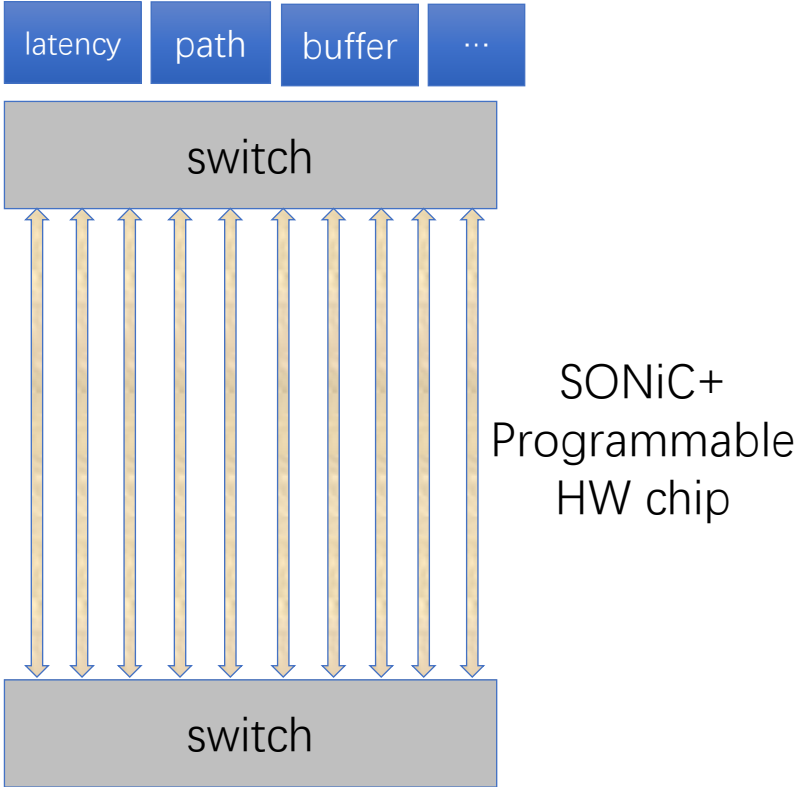
Traditional Switch : black box , low visibility



Limited Data : operational data only, very limited user flow information, operation inefficiency

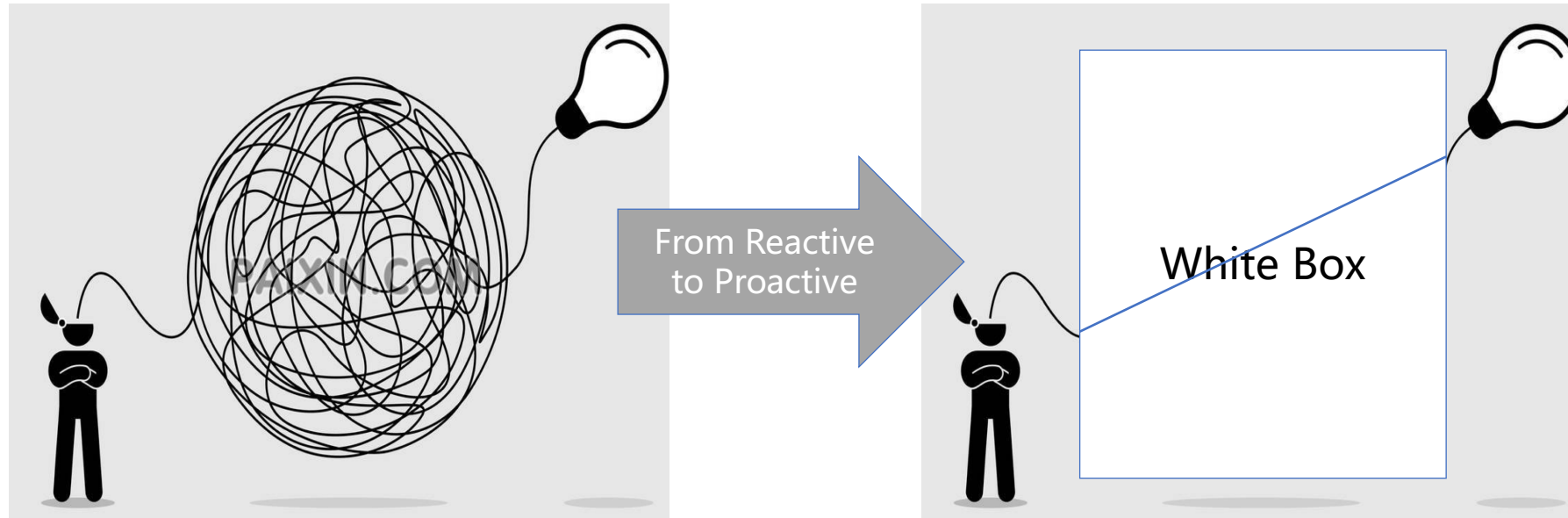


Alibaba Open Switch



Per flow data: path, latency, rate; buffer snapshot, packet drop and reasons ...

Smart Operation: Self-driven Network



- Reactive to application packet loss and SLA changes
- Traditional troubleshooting by network engineer
- Black box switch, vendor specific debug

- Proactive to packet loss and SLA change
- Per-flow data collection and big data analysis, full automation
- Open and Transparency

Community Participation

- Announce joining SONiC@OCP community at ONS 2017
- Expand ODM and ASIC vendor SONiC@OCP support
- Lead SONiC adoption in China
- Major contributor to SONiC

Alibaba Contributions to SONiC Community Release

Quote from SONiC community 201712 release notes

Release	Release Date	SAI version	Features Included
SONiC.201712	12/15/2017	1.0	SONiC Support SAI 1.0
			Fast Reload
			ConfigDB framework
			TACACS+
			LACP Fallback
			MTU Setting
			Vlan Trunk
			Dynamic ACL Upgrade
			SWSS Unit Test Framework

- Special thanks to

- o Alibaba team for contribution on: Vlan Trunk, TACACS+, MTU Setting, LACP Fallback
- o Mellanox team for contribution on Dynamic ACL Upgrade
- o LinkedIn and community on meticulous design reviews |
- o Microsoft team for contribution on: SONiC Support for SAI 1.0, Fast Reload, ConfigDB framework and SWSS Unit Test Framework
- o ASIC partners to provide SAI 1.0 support
- o Platform partners to for platform driver support

SONiC Development @Alibaba

- Highlights besides features contributed to community
 - Lightweight server dual home solution
 - 25G/100G RDMA support
 - RoCE v2 based RDMA
 - DC-QCN
 - BGP enhancements
 - gRPC based network monitoring
 - Buffer status, Device healthy subscription
 - INT based network telemetry
 - Intelligent Trigger
 - Upstream report including Flow tracking, Latency, path change detection based upstream report
 - Local report with packet mirror on drop, Queue depth
 - Silent packet drop trouble shooting

SONiC Deployment @Alibaba

- Advanced network telemetry deployment experience
 - Challengers: inter-operability, vendors, chips, standards (IETF, P4 spec)
 - The economic aspect to deploy INT based network telemetry
- Deployment plan
 - Massive deployment plan
 - We fully commit



OCP SUMMIT